

INSTALLATION INSTRUCTIONS

4x4 Raised Profile

ACTIVE METAL™ KEYPADS

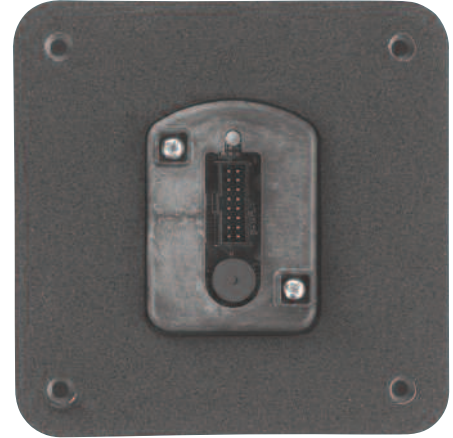
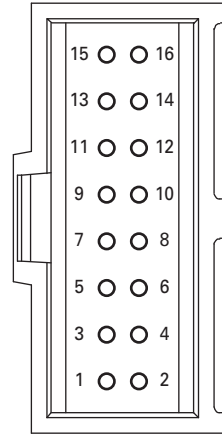
BEYOND DURABLE.™

Pin-Out Configurations:

Pin No.	Matrix	RS-232	Wiegand
1	+9 to 24 VDC	+9 to 24 VDC	+9 to 24 VDC
2	Aux. Out	Aux. Out	Aux. Out
3	—	TX Data	—
4	—	—	—
5	Row 0	—	Data 0
6	Row 1	—	Data 1
7	Row 2	—	—
8	Row 3	—	—
9	Column 0	—	—
10	Column 1	—	—
11	Column 2	—	—
12	—	—	—
13	Red LED*	Red LED*	Red LED*
14	Green LED*	Green LED*	Green LED*
15	Ground	Ground	Ground
16	Ground	Ground	Ground

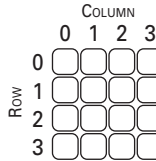
* Please note, the Red and Green LED's are externally controlled by pulling to ground.

Diagrams



Back view

(mates with Molex® 16-pin female connector part number 90142-0016, not included)



ASCII Serial Output:

ASCII Output is for Matrix and Serial Keypads. The output is independent of the Legend Style (calculator or telephone).

	Column 0	Column 1	Column 2	Column 3
Row 0	0	1	2	3
Row 1	4	5	6	7
Row 2	8	9	A	B
Row 3	C	D	E	F

Matrix Output:

The terminals corresponding to a key press are electronically shorted to one another. For example, when the key in Row 1, Column 1 is pressed, connector Terminal 6 and Terminal 10 are shorted to one another for the duration of the key press. The maximum current that can be passed is 20 – 25mA.

Sensitivity and Audio Settings:

Within the first 8 seconds after power up, press one of the following keys (see Key Map above) to select the sensitivity and audio settings. If one of these keys are not pressed during the first 8 seconds after power up, the last setting prior to power down will be used.

Row 0, Column 0 — Low sensitivity (heavier touch), Sound On	Row 1, Column 0 — Low sensitivity (heavier touch), Sound Off
Row 0, Column 1 — Med sensitivity (standard touch), Sound On**	Row 1, Column 1 — Med sensitivity (standard touch), Sound Off
Row 0, Column 2 — High sensitivity (lighter touch), Sound On	Row 1, Column 2 — High sensitivity (lighter touch), Sound Off

** Default Setting

Dimensions / Mounting Diagrams:

Continued on reversed side.

Design and specifications subject to change without notice due to continuing product improvements

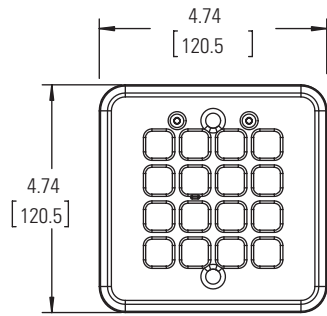


This device complies with Part 15 of the FCC Rules. Operation is subject to the following two conditions:
(1) this device may not cause harmful interference, and
(2) this device must accept any interference received, including interference that may cause undesired operation

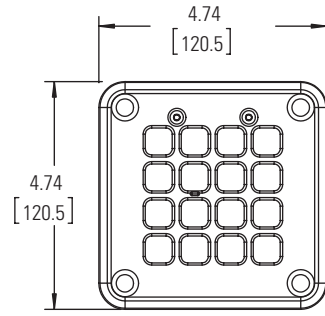
800.544.3354

www.ActiveMetal.com

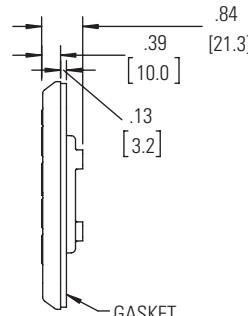
Dimensions / Mounting Diagrams:



**KEYPAD
FOR ELECTRICAL BOX MOUNTING**

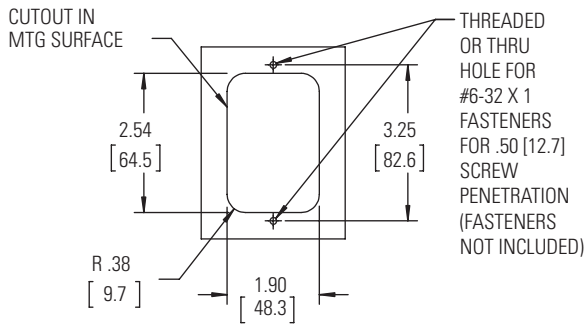


**KEYPAD
FOR PANEL MOUNTING**

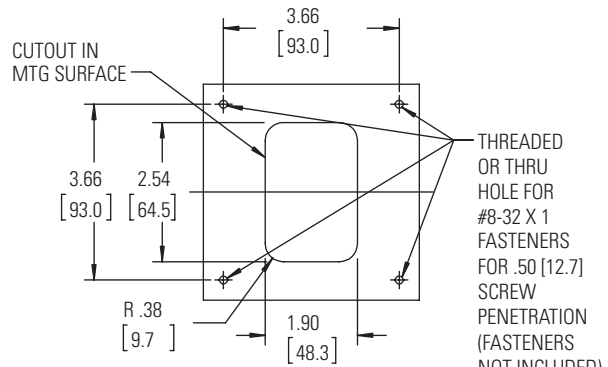


**GASKET
(FOR OUTDOOR INSTALLATIONS)**

For outdoor installations use the sealing washers and gasket (provided), and a weatherproof backbox, seal the wire entry locations with silicone and provide a drain hole. In addition, use anti-oxidant grease for wire harness connections.



**RECOMMENDED PATTERN FOR
ELECTRICAL BOX MOUNTING**



**RECOMMENDED PATTERN FOR
PANEL MOUNTING**

INCHES [MM]