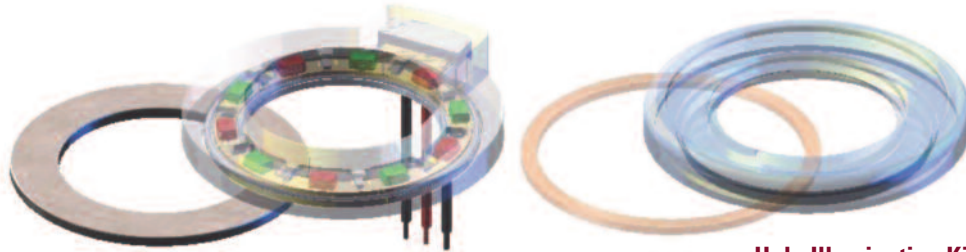


BEYOND DURABLE.™

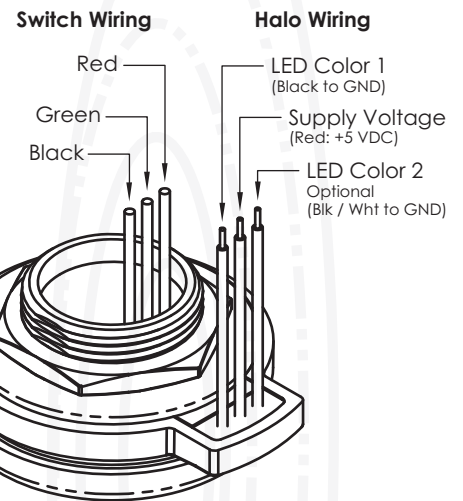
The Halo Illumination kit is comprised of a translucent diffuser, a gasket, LED assembly and a flat washer. You will need to retain and use the original black o-ring and mounting nut that comes with the ActiveMetal switch. Available for use with 5VDC supply voltages and optional dual LED color combinations (controlled external to the switch operation).



Halo Illumination Kit

PRODUCT SPECIFICATIONS (HALO KIT ONLY)

- Red, Green, Blue, Yellow or White LEDs
- Dual Color Combinations Available
- LEDs Controlled External to the Switch
- 5 VDC Supply Voltages
- Current Draw: < 120 mA per Color Illuminated (25° C)
- To Activate LEDs Pull the Appropriate Wire Color to Ground
- Can be used with any ActiveMetal Switch Size, Voltage or Housing Material (except 30mm & 38mm)
- Vibration: MIL-STD-202G, Method 204D, 10G



Halo Kit Normal Voltage	5 VDC ±10%
Min Supply Voltage	4.1 VDC
Max Supply Voltage	6.8 VDC
Reverse Voltage	5 VDC
Current Draw (normal voltage)	75 – 120 mA*

Above table values at room temperature.

* Dependant on LED Color

MOUNTING SPECIFICATIONS (HALO KIT ONLY)

- Panel Cutouts noted in table to the right
- Panel Thickness: Min. 1.60 mm (0.063") Max. 5.46 mm (0.215")
- Mounting Torque: 5 in•lbs
- Operating Temp. Range: -40° C to +85° C
- Ingress Protection: IP67 with panel

ActiveMetal Assemblies	19 mm	22 mm
Halo Diffuser Diameter (A)	33 mm (1.299")	36.5 mm (1.437")
Switch Bezel Diameter (B)	28 mm (1.102")	31 mm (1.220")
Panel Hole Diameter (C)	25 mm (0.984")	28.3 mm (1.114")



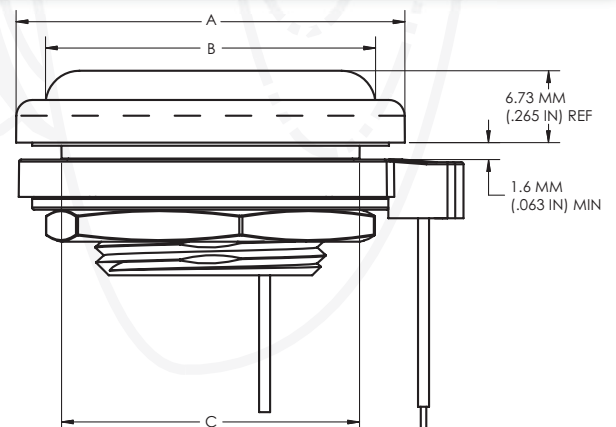
ActiveMetal Switches sold separately.

This accessory is not currently available for use with the 30mm & 38mm ActiveMetal Switches.

Design and specifications subject to change without notice due to continuing product improvements

800.544.3354

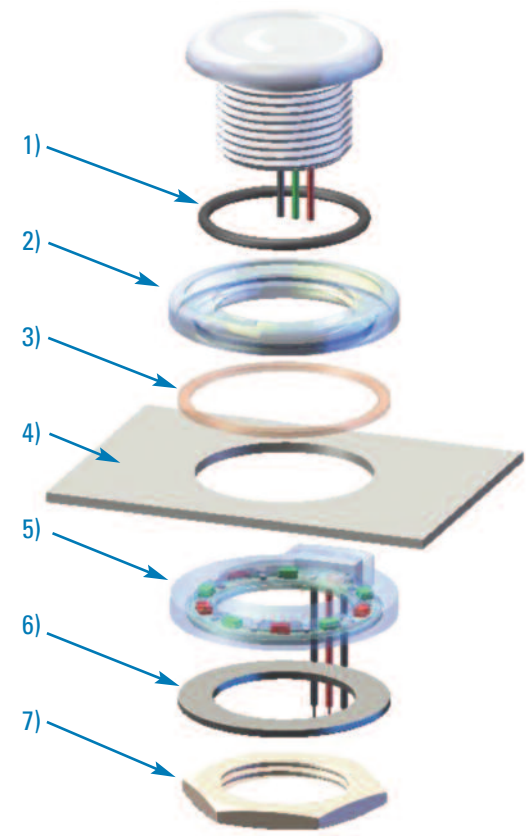
www.ActiveMetal.com



BEYOND DURABLE.™

ORDER OF ASSEMBLY

- 1) Holding the switch thread side up, place o-ring into the groove in the switch
- 2) Thread diffuser onto switch, make sure o-ring remains in the groove (Note: the diffuser should be loose above the switch threads)
- 3) Place the gasket on the diffuser
- 4) Insert the switch / diffuser assembly through the panel cutout
- 5) Slide LED assembly onto switch (Note: LED assembly is keyed to the double D-flats on the switch)
- 6) Insert washer and nut
- 7) Tighten nut to 5 in•lbs in lbs to maintain an IP67 seal.



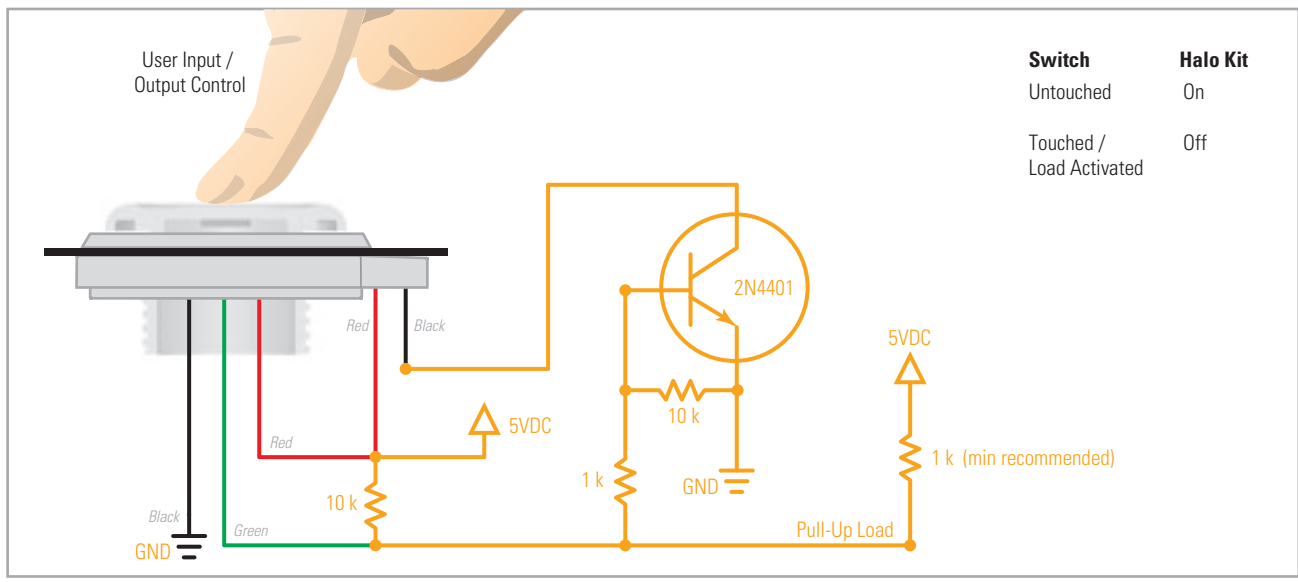
HALO KIT PART NUMBER MATRIX

T02-□□□□□	
<p>Switch Size:</p> <p>19 = 19mm</p> <p>22 = 22mm</p>	<p>Supply Voltage:</p> <p>05 = 5 VDC¹</p>
<p>LED Color (1):</p> <p>1 = Red</p> <p>2 = Green</p> <p>3 = Blue</p> <p>4 = Amber</p> <p>5 = White</p>	<p>LED Color (2, Optional):</p> <p>0 = None</p> <p>1 = Red</p> <p>2 = Green</p> <p>3 = Blue</p> <p>4 = Amber</p> <p>5 = White</p>

ActiveMetal Switches sold separately.
¹ Forward current limiting resistor is built-in to LED assembly.

WIRING SCHEMES

5VDC NORMALLY OPEN SWITCH WITH 5VDC HALO KIT



Copyright © 2010 ITW Switches AM Halo Kits 06/10 Rev 2

Design and specifications subject to change without notice due to continuing product improvements

800.544.3354
www.ActiveMetal.com

Contact an Authorized Distributor or Factory for Pricing