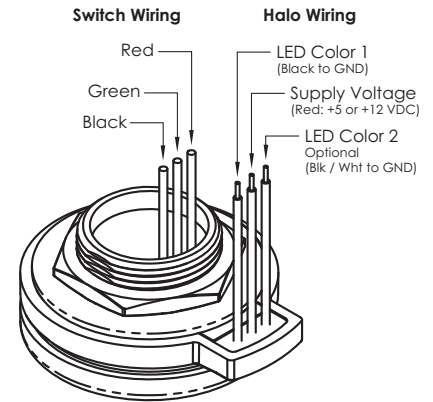
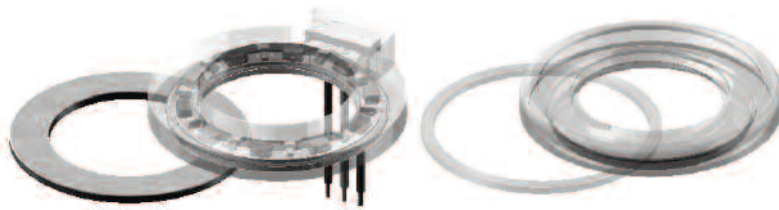


BEYOND DURABLE.™

HALO ILLUMINATION KIT

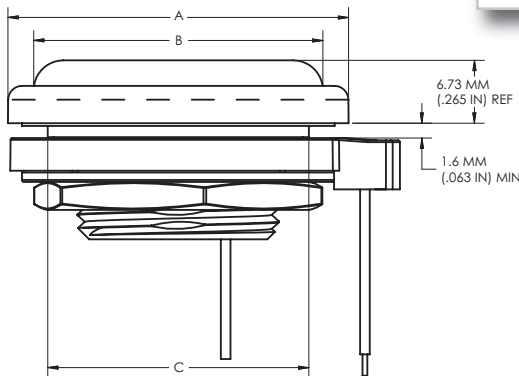
The Halo Illumination kit is comprised of a translucent diffuser, a gasket, LED assembly and a flat washer. You will need to retain and use the original black o-ring and mounting nut that comes with the ActiveMetal switch. Available for use with 5VDC or 12VDC supply voltages and optional dual LED color combinations (controlled external to the switch operation).



MOUNTING SPECIFICATIONS (HALO KIT ONLY)

- Panel Cutouts noted in table to the right
- Panel Thickness: Min. 1.60 mm (0.063")
Max. 5.46 mm (0.215")
- Mounting Torque: 5 in•lbs
- Operating Temp. Range: -40° C to +85° C

ActiveMetal Assemblies	19 mm	22 mm	30 mm
Halo Diffuser Diameter (A)	33 mm (1.299")	36.5 mm (1.437")	46 mm (1.811")
Switch Bezel Diameter (B)	28 mm (1.102")	31 mm (1.220")	39 mm (1.535")
Panel Hole Diameter (C)	25 mm (0.984")	28.3 mm (1.114")	37 mm (1.457")



Halo Kit Normal Voltage	5 VDC ±10%	12 VDC ±10%
Min Supply Voltage	4.1 VDC	8.1 VDC
Max Supply Voltage	6.8 VDC	15.2 VDC
Reverse Voltage	5 VDC	12 VDC
Current Draw (normal voltage)	75 – 120 mA*	< 40 mA*

Above table values at room temperature.

* Dependant on LED Color

ORDER OF ASSEMBLY

- 1) Holding the switch thread side up, place o-ring into the groove in the switch
- 2) Thread diffuser onto switch, make sure o-ring remains in the groove (Note: the diffuser should be loose above the switch threads)
- 3) Place the gasket on the diffuser
- 4) Insert the switch / diffuser assembly through the panel cutout
- 5) Slide LED assembly onto switch (Note: LED assembly is keyed to the double D-flats on the switch)
- 6) Insert washer and nut
- 7) Tighten nut to 5 in•lbs to maintain the IP67 seal.

